

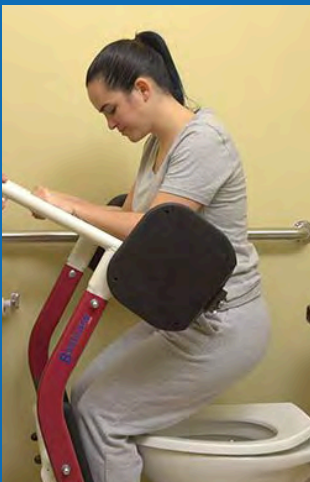
# BESTMOVE™

## STA450 | STANDING TRANSFER AID

The BestMove™ STA450 is your best choice for fall prevention, while at the same time promoting mobility for the patient. With the new TS30760 Raising belt, users and caregivers will be able to effortlessly transfer the patient from a sitting position to a standing position as well as from a standing position to a sitting position.



- **450lb** capacity
- Dual shin pads for extra support
- TS30760 Raising Belt available
- Legs open to fit around wheelchairs for easier patient transfers

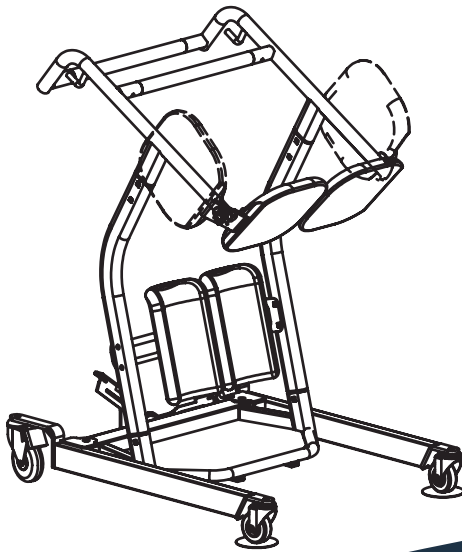


# | DIMENSIONS

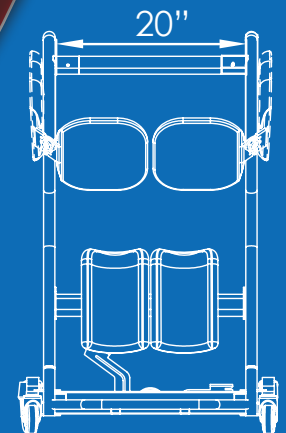
Key dimensions of STA450	
maximum capacity	450Lb / 205Kg
overall height	43.2 in
overall base length	35.5 in
minimum seat height	26 in
maximum seat height	33.5
front-end base height	3.6 in
internal leg width (open)	32 in
external leg width (closed)	27.7 in
maximum kneepad height	21 in
horizontal handlebar width	20 in
net weight	78Lb / 35.2Kg
shipping weight	93Lb / 42Kg

\* SPECIFICATIONS PROVIDED ARE A GENERAL GUIDELINE AND ARE SUBJECT TO CHANGE WITHOUT NOTICE

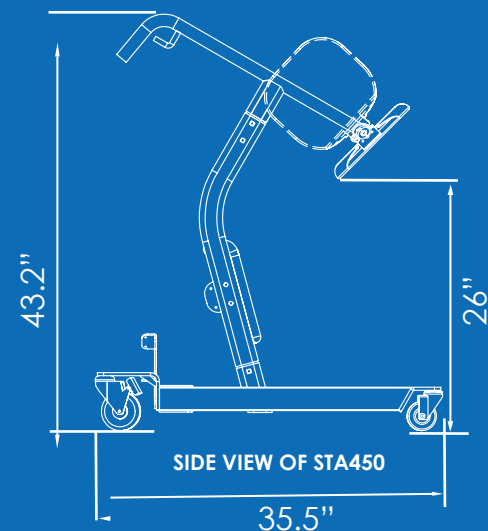
## | STA450



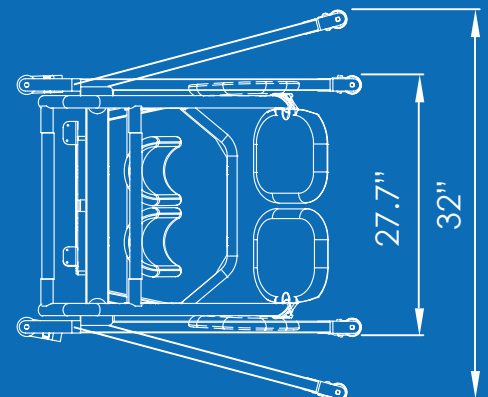
2920 PACIFIC DR., NORCROSS, GA 30071  
WWW.BESTCARELLC.COM  
678-679-6690



FRONT VIEW OF STA450



SIDE VIEW OF STA450



TOP VIEW OF STA450