



BESTLIFT SERIES

FULL BODY PATIENT LIFT

SPECIALTY FULL BODY PATIENT LIFT

PL350CT [Car Transfer](#)
PL400EF [Foldable/Portable](#)
PL 400H/HE [Convertible](#)

CARE FULL BODY PATIENT LIFT

PL 182
PL 228
PL 273

PROCARE FULL BODY PATIENT LIFT

PL 400
PL 500
PL 600

2920 Pacific Drive, Norcross, GA 30071 • Tel: 678-679-6690 • Fax: 678-679-6697
Email: sales@bestcarellc.com • Web Site: www.bestcarellc.com

BESTLIFT™

NEW!

PL350CT | CAR TRANSFER

The BestLift™ PL350CT is the perfect solution for car transfers and your everyday transfer needs. With its unique spreader bar, this BestLift is able to position patients from sitting to a lying down position with minimal patient movement. It also transfer them from the car, wheelchair, floor or bed and adds versatility by folding up for easy transportation.



- **350lb** capacity
- Easy car transfer
- Fully electric lift with optimal spare battery
- Foldable and portable for easy transport
- Compatible with most plastic clip slings
- Minimal swinging of patient

| PL350CT



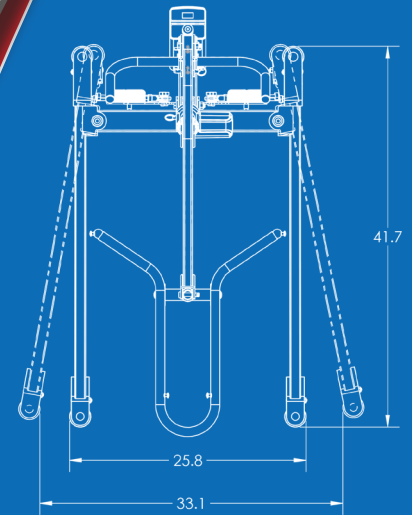
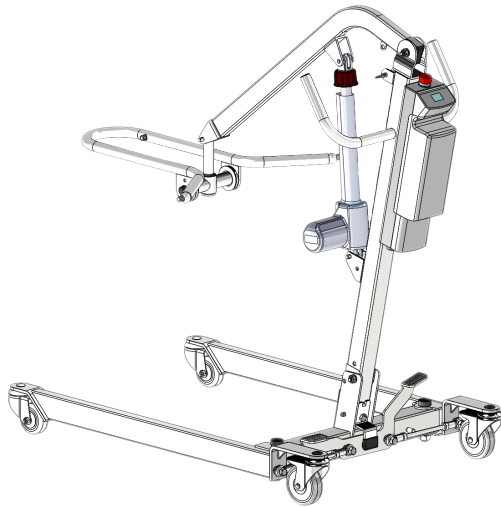
PL350CT BEING USED TO PICK UP PATIENT



SIDE VIEW OF THE PL350CT IN FIRST POSITION



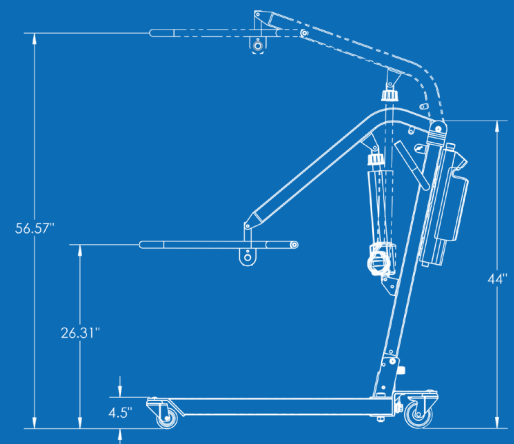
SIDE VIEW OF THE PL350CT BEING LIFTED TO TRANSFER



TOP VIEW OF PL350CT

| DIMENSIONS

Key dimensions of PL350CT	
maximum capacity	350 Lb / 160 Kg
base legs length	41.7 in
base closed external width	25.8 in
base opened internal width	33.1 in
mast height	44.0 in
min lifting height	26.31 in
max lifting height	56.57 in
netweight	95lb/43kg
shipping weight	108lb/49kg



SIDE VIEW OF PL350CT

SPECIFICATIONS PROVIDED ARE A GENERAL GUIDELINE AND ARE SUBJECT TO CHANGE WITHOUT NOTICE

BESTLIFT™

NEW!

PL400EF | FOLDABLE | PORTABLE

The Bestlift PL400EF represents a new standard in full body lifts for individuals who travel or are seeking storage efficiency in their home. PL400EF assembles (or folds) with 3 easy steps allowing for full operation or preparing for storage/transport.



PUSH HANDLES



FITS IN CAR TRUNK



ROLLS ON CASTERS

- Portable and foldable for easy storage and transportation
- Light weight and easy to move
- **400lb** capacity
- Optional scale available
- Optional spare battery and wall charger available
- Easy to service and disassemble

| PL400EF



PL400EF BEING USED
STANDING ON THE FLOOR



PL400EF BEING USED ON
THE BED



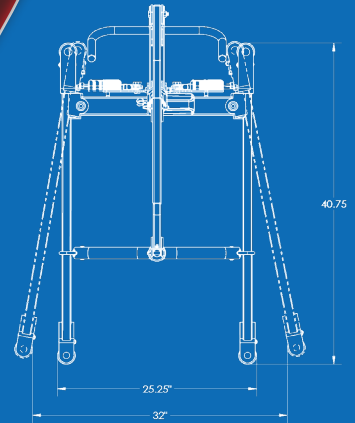
PL400EF BEING USED WITH
A WHEELCHAIR

| DIMENSIONS

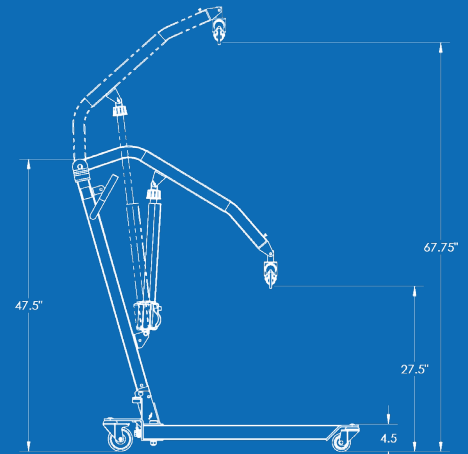
Key dimensions of PL400EF

maximum capacity	400Lb / 182Kg
external base width (closed)	25.25 in
internal leg width (opened)	32 in
upright mast height	47.5 in
overall base length	40.75 in
base height	4.5 in
minimum lifting height with spreader bar	27.5
maximum lifting height with spreader bar	67.75
net weight	90Lb / 41Kg
shipping weight	104Lb / 47Kg

* SPECIFICATIONS PROVIDED ARE A GENERAL GUIDELINE
AND ARE SUBJECT TO CHANGE WITHOUT NOTICE



TOP VIEW OF PL400EF



SIDE VIEW OF PL400EF



FOLDED AND FLAT



FOLDED AND STANDING

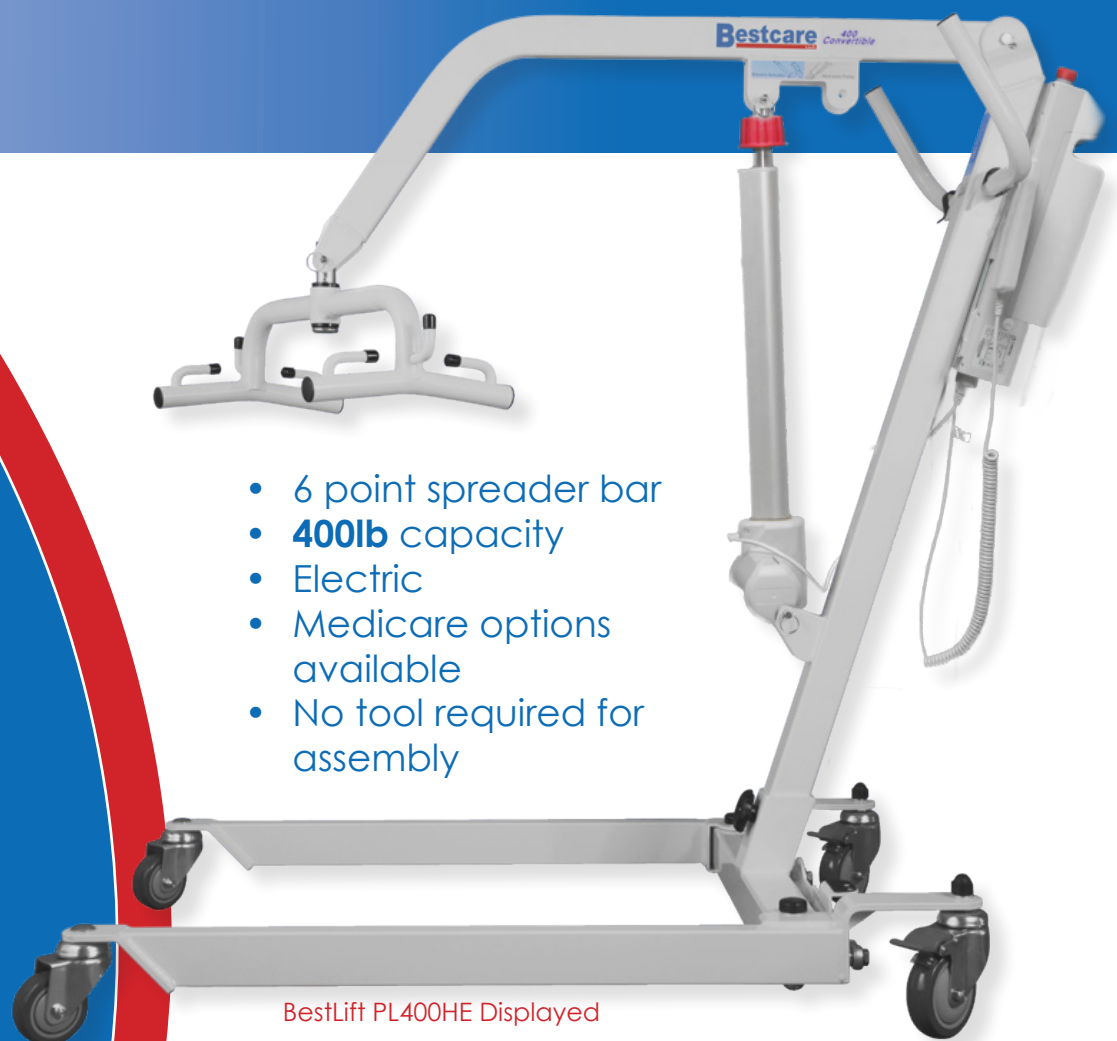


2920 PACIFIC DR., NORCROSS, GA 30071
WWW.BESTCARELLC.COM
678-679-6690

BESTLIFT™

PL400H/HE | CONVERTIBLE

The innovative BestLift™ PL400H/HE home care lifts are designed to allow manual or electric use. The hydraulic unit may be upgraded to electric anytime with an easy-to-attach electric kit. Built to last and yet extremely affordable. Ask your local dealer about the Medicare options available for this lift.



- 6 point spreader bar
- **400lb** capacity
- Electric
- Medicare options available
- No tool required for assembly

BestLift PL400HE Displayed



BestLift PL400H Displayed

- 6 point spreader bar
- **400lb** capacity
- Hydraulic
- Medicare options available

UPGRADE ELECTRONIC KIT



SPECIAL FEATURE

- *EASY TO DISASSEMBLE FOR TRANSPORTING
- *NO TOOLS NEEDED

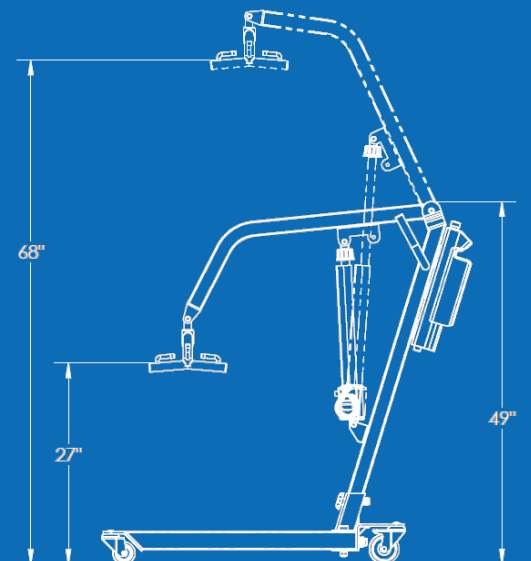
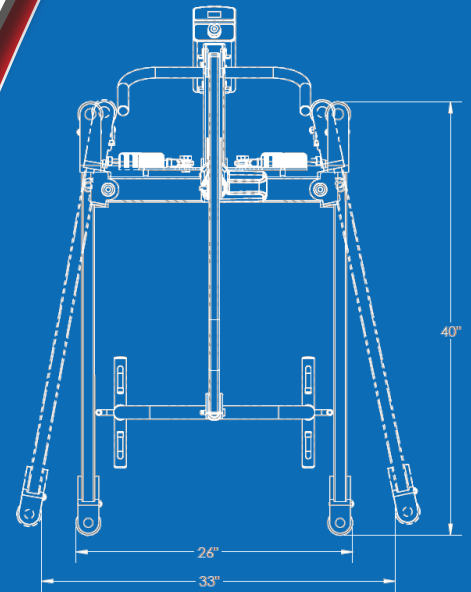
DIMENSIONS

Key dimensions of PL400H/HE

maximum capacity	400Lb / 182Kg
base legs length	40"
base closed external width	26"
based open external width	33"
mast height	49"
base height	4.8"
min. lifting height	27"
max. lifting height	68"
net weight	82Lb / 37Kg
shipping weight	93Lb / 42Kg

* with spreader bar

SPECIFICATIONS PROVIDED ARE A GENERAL GUIDELINE AND ARE SUBJECT TO CHANGE WITHOUT NOTICE



BESTLIFT™

NEW!

PL182 | FULL BODY PATIENT LIFT

The BestLift™ PL182 is the perfect blend of form and function for patient transfers. With an overall base length of 44.9", maximum width of 42.9", and base height of 4.5", it is the perfect solution for transferring bariatric patients in small rooms with low beds.



- **400lb** capacity
- Dual front castors
- New electronics with 24/7 capability
- New hand operated base opening

| PL182



PL182 BEING USED LAYING ON THE FLOOR



PL182 BEING USED ON THE BED

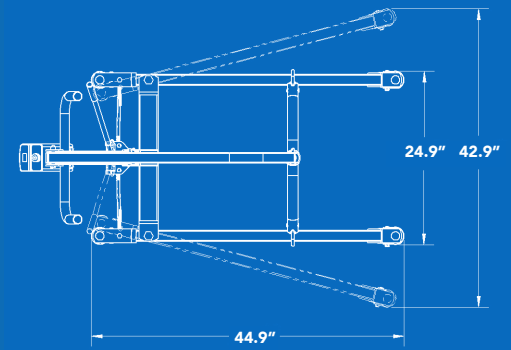


PL182 BEING USED WITH A WHEELCHAIR

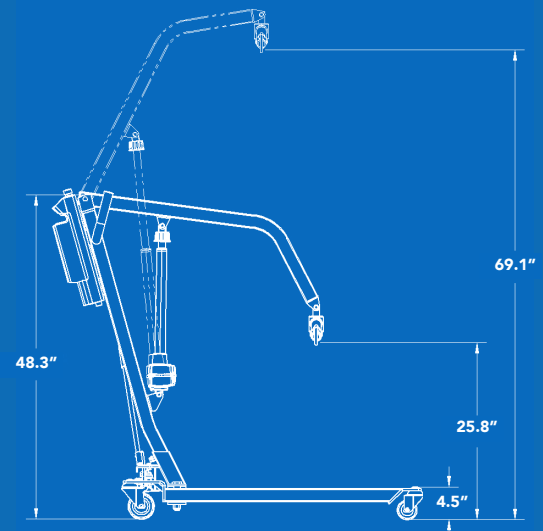
| DIMENSIONS

Key dimensions of PL182	
maximum capacity	400Lb / 182Kg
base legs length	44.9"
base closed external width	24.9"
based open external width	42.9"
mast height	48.3"
base height	4.5"
min. lifting height	25.8"
max. lifting height	69.1"
net weight	99Lb / 45Kg
shipping weight	108Lb / 49Kg

* SPECIFICATIONS PROVIDED ARE A GENERAL GUIDELINE AND ARE SUBJECT TO CHANGE WITHOUT NOTICE



TOP VIEW OF PL182



SIDE VIEW OF PL182



2920 PACIFIC DR., NORCROSS, GA 30071
 WWW.BESTCARELLC.COM
 678-679-6690

BESTLIFT™

NEW!

PL228 | FULL BODY PATIENT LIFT

The BestLift™ PL228 is the perfect blend of form and function for patient transfers. With an overall base length of 44.9", maximum width of 42.9", and base height of 4.5", it is the perfect solution for transferring bariatric patients in small rooms with low beds.



- **500lb** capacity
- Dual front castors
- New electronics with 24/7 capability
- New hand operated base opening

| PL228



PL228 BEING USED FOR FLOOR TRANSFER



PL228 BEING USED TO TRANSFER FROM BED



PL228 BEING USED TO TRANSFER FROM WHEELCHAIR

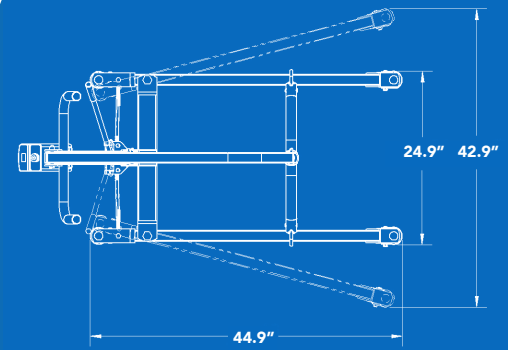
| DIMENSIONS

Key dimensions of PL228	
maximum capacity	500Lb / 228Kg
base legs length	44.9"
base closed external width	24.9"
based open external width	42.9"
mast height	48.3"
base height	4.5"
min. lifting height	25.8"
max. lifting height	69.1"
net weight	99Lb / 45Kg
shipping weight	108Lb / 49Kg

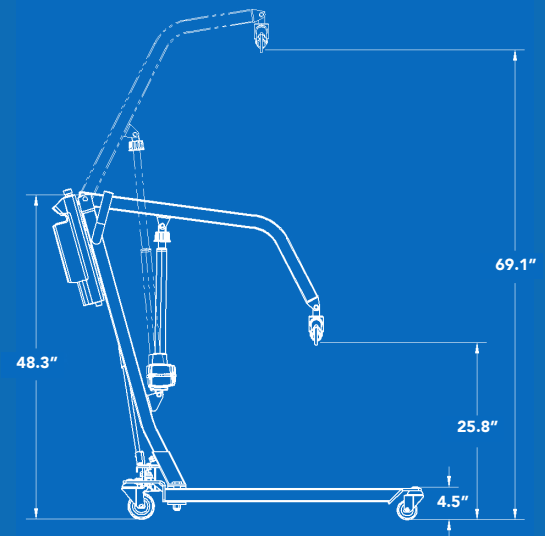
* SPECIFICATIONS PROVIDED ARE A GENERAL GUIDELINE AND ARE SUBJECT TO CHANGE WITHOUT NOTICE



2920 PACIFIC DR., NORCROSS, GA 30071
 WWW.BESTCARELLC.COM
 678-679-6690



TOP VIEW OF PL228



SIDE VIEW OF PL228

BESTLIFT™

NEW!

PL273 | FULL BODY PATIENT LIFT

The BestLift™ PL273 is the perfect blend of form and function for patient transfers. With an overall base length of 44.9", maximum width of 42.9", and base height of 4.5", it is the perfect solution for transferring bariatric patients in small rooms with low beds.



- **600lb** capacity
- Dual front castors
- New electronics with 24/7 capability
- New hand operated base opening

| PL273



PL273 BEING USED FOR FLOOR TRANSFER



PL273 BEING USED TO TRANSFER FROM BED



PL273 BEING USED TO TRANSFER FROM WHEELCHAIR

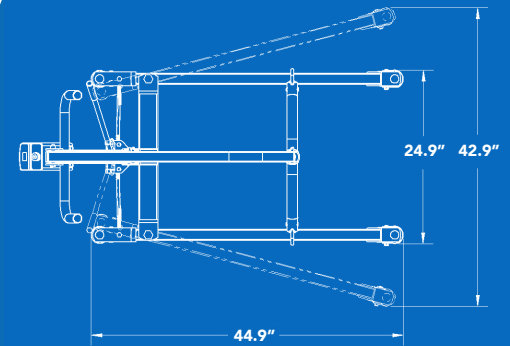
| DIMENSIONS

Key dimensions of PL273	
maximum capacity	600Lb / 273Kg
base legs length	44.9"
base closed external width	24.9"
based open external width	42.9"
mast height	48.3"
base height	4.5"
min. lifting height	25.8"
max. lifting height	69.1"
net weight	99Lb / 45Kg
shipping weight	108Lb / 49Kg

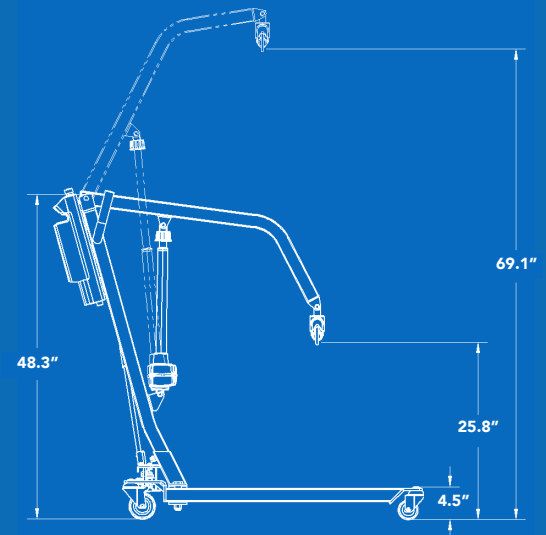
* SPECIFICATIONS PROVIDED ARE A GENERAL GUIDELINE AND ARE SUBJECT TO CHANGE WITHOUT NOTICE



2920 PACIFIC DR., NORCROSS, GA 30071
 WWW.BESTCARELLC.COM
 678-679-6690



TOP VIEW OF PL273



SIDE VIEW OF PL273

BESTLIFT™

PL400 | FULL BODY PATIENT LIFT

The BestLift™ PL400 is one of the latest ProCare products. Ergonomically designed to reduce and eliminate back injuries among professional caregivers. Providing comfort and dignity for users.



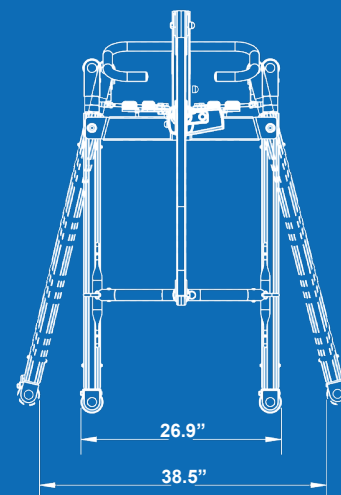
- **400lb** capacity
- Lift from floor and over high beds
- 6-point spreader bar for extra comfort
- Full electric lift with optional spare battery
- Optional Scale

| DIMENSIONS

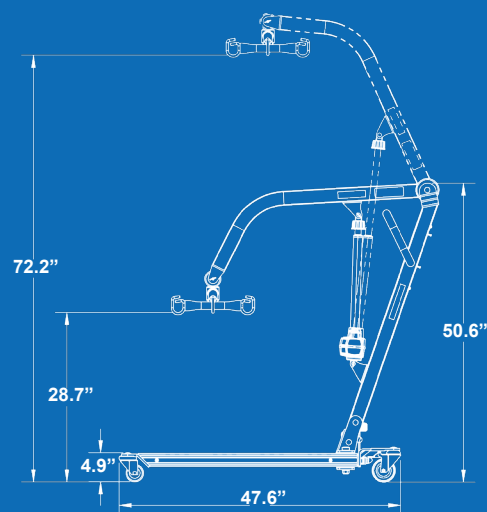
Key dimensions of PL400	
maximum capacity	400Lb / 182Kg
external base width (closed)	26.9"
internal leg width (opened)	38.5"
upright mast height	50.6"
overall base length	47.6"
base height	4.9"
minimum lifting height with spreader bar	28.7"
maximum lifting height with spreader bar	72.2"
net weight	97lb / 44kgs
shipping weight	121lb / 54.9kgs

* SPECIFICATIONS PROVIDED ARE A GENERAL GUIDELINE AND ARE SUBJECT TO CHANGE WITHOUT NOTICE

I PL400



TOP VIEW OF PL400



SIDE VIEW OF PL400

BESTLIFT™

PL500 | FULL BODY PATIENT LIFT

The BestLift™ PL500 is one of the latest ProCare products. Ergonomically designed to reduce and eliminate back injuries among professional caregivers. Providing comfort and dignity for users.



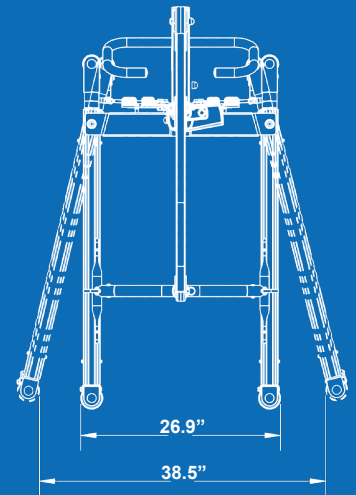
- **500lb** capacity
- Lift from floor and over high beds
- 6-point spreader bar for extra comfort
- Full electric lift with optional spare battery
- Optional scale.

| DIMENSIONS

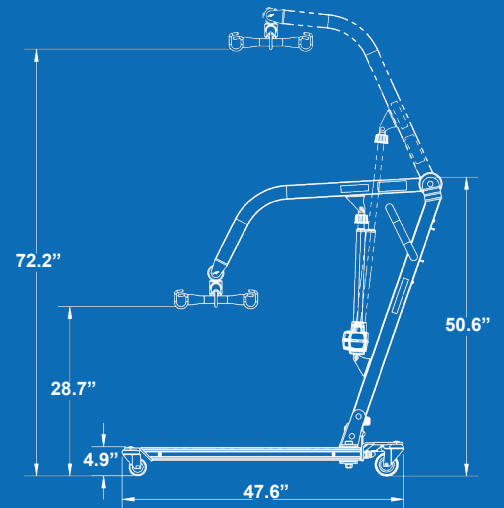
Key dimensions of PL500	
maximum capacity	500Lb / 228 Kg
external base width (closed)	26.9"
internal leg width (opened)	38.5"
upright mast height	50.6"
overall base length	47.6"
base height	4.9"
minimum lifting height with spreader bar	28.7"
maximum lifting height with spreader bar	72.2"
net weight	98lb / 44.5kgs
shipping weight	122lb / 55.3kgs

* SPECIFICATIONS PROVIDED ARE A GENERAL GUIDELINE AND ARE SUBJECT TO CHANGE WITHOUT NOTICE

| PL500



TOP VIEW OF PL500



SIDE VIEW OF PL500

BESTLIFT™

PL600 | FULL BODY PATIENT LIFT

The BestLift™ PL600 is one of the latest ProCare products. Ergonomically designed to reduce and eliminate back injuries among professional caregivers. Providing comfort and dignity for users.



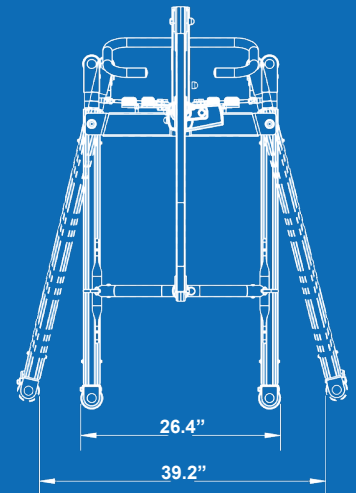
- **600lb** capacity
- Lift from floor and over high beds
- 6-point spreader bar for extra comfort
- Full electric lift with optional spare battery
- Reinforced foot pedal
- Optional scale.

| DIMENSIONS

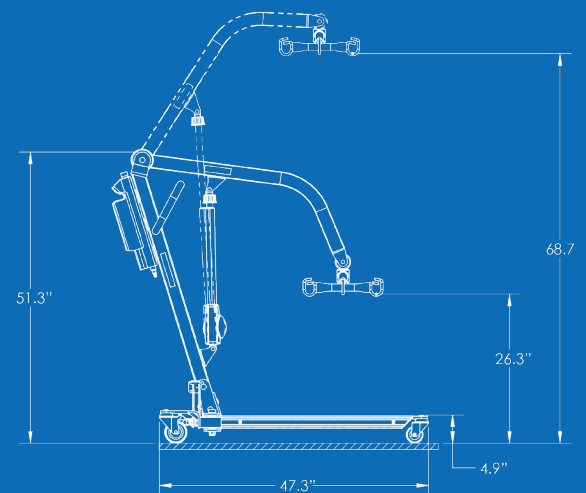
Key dimensions of PL600	
maximum capacity	600Lb / 273 Kg
external base width (closed)	26.4"
internal leg width (opened)	39.2"
upright mast height	51.3"
overall base length	47.3"
base height	4.9"
minimum lifting height with spreader bar	26.3"
maximum lifting height with spreader bar	68.7"
net weight	123 lb / 56 kgs
shipping weight	139 lb / 63 kgs

* SPECIFICATIONS PROVIDED ARE A GENERAL GUIDELINE AND ARE SUBJECT TO CHANGE WITHOUT NOTICE

| PL600



TOP VIEW OF PL600



SIDE VIEW OF PL600



BESTSTAND SERIES

SIT-TO-STAND

SA400H Mini
SA400HE Mini

SA182
SA182H
SA228
SA228H

SA 400
SA 500
SA 600

2920 Pacific Drive, Norcross, GA 30071 • Tel: 678-679-6690 • Fax: 678-679-6697
Email: sales@bestcarellc.com • Web Site: www.bestcarellc.com

BESTSTAND™

SA400H/HE | MINI | SIT-TO-STAND

The BestStand™ SA400H/HE Mini are our latest innovative design for quick and easy sit-to-stand transfer. They are small and compact. Easy to maneuver in tight space. Available in both hydraulic and electric.



- **400lb** Capacity
- Unique T-bar design for quick lifting action
- Hydraulic with optional electric upgrade
- Adjustable knee pad
- Detachable foot plate

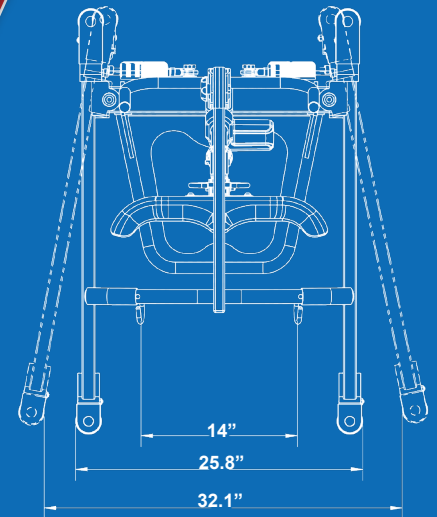
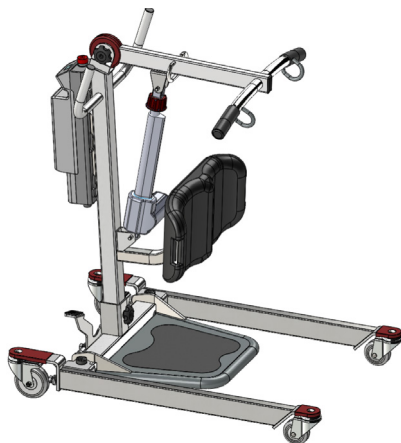
| DIMENSIONS

Key dimensions of SA400H/HE MINI	
maximum capacity	400Lb / 182 Kg
external base width (closed)	25.8"
internal leg width (opened)	32.1"
upright mast height	40"
overall base length	37.4"
base height	4.5"
minimum lifting height with spreader bar	36.1"
maximum lifting height with spreader bar	57.3"
knee pad length extension range	4.5"
maximum boom width	14"
knee pad height extension range	22.11"
net weight	102lb / 46.2kgs
shipping weight	112lb / 51kgs

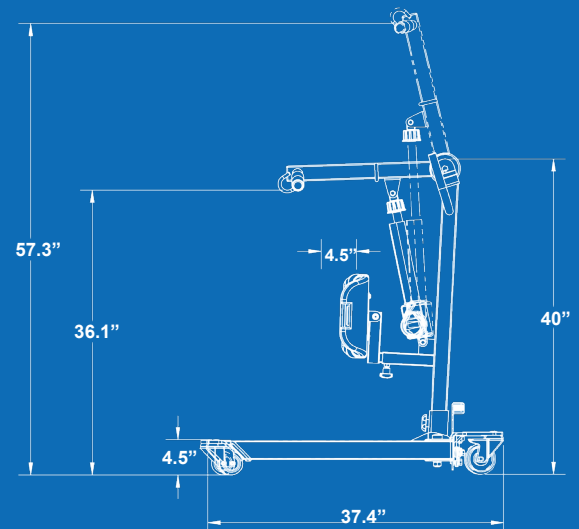
* SPECIFICATIONS PROVIDED ARE A GENERAL GUIDELINE AND ARE SUBJECT TO CHANGE WITHOUT NOTICE

| **SA400H** HYDRAULIC

| **SA400HE** ELECTRONIC



TOP VIEW OF SA400HE MINI

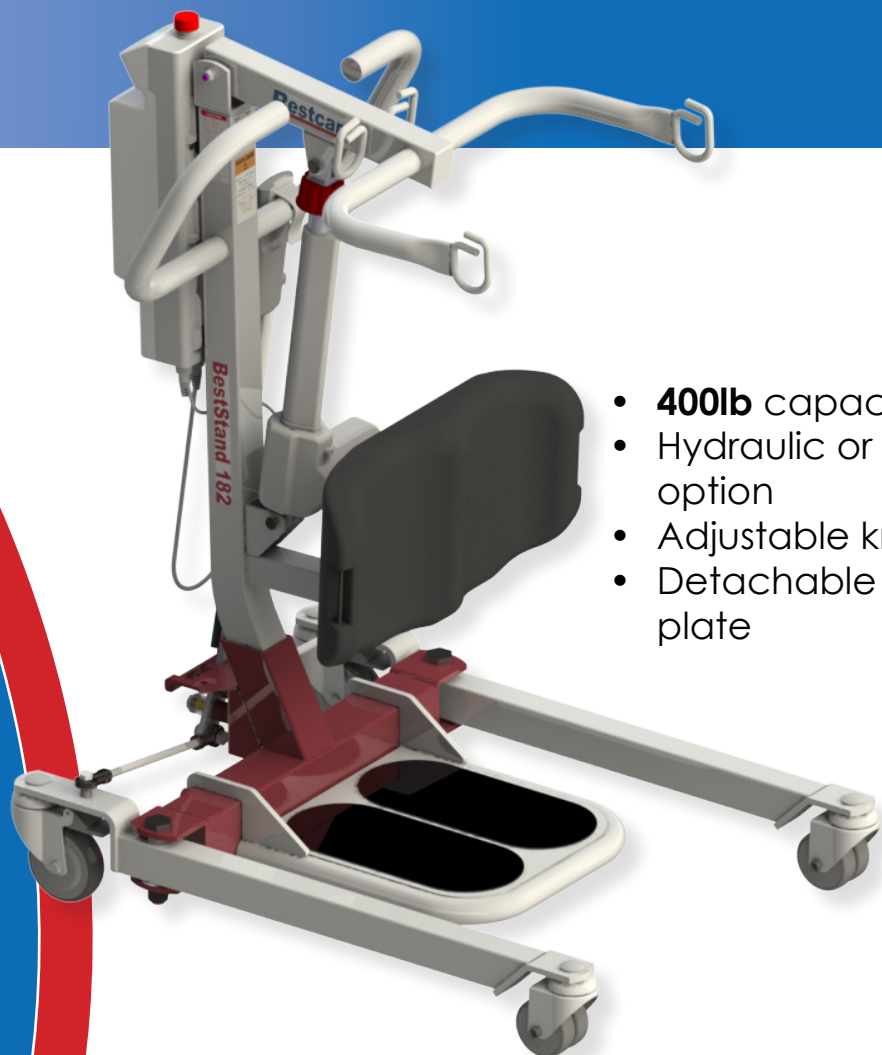


SIDE VIEW OF SA400HE MINI

BESTSTAND™

SA182/H | SIT-TO-STAND

The Bestlift SA182/H are an affordable Care solution. They are compact and easy to maneuver. Medicare reimbursable (E0630).



- **400lb** capacity
- Hydraulic or Electric option
- Adjustable knee pad
- Detachable foot plate

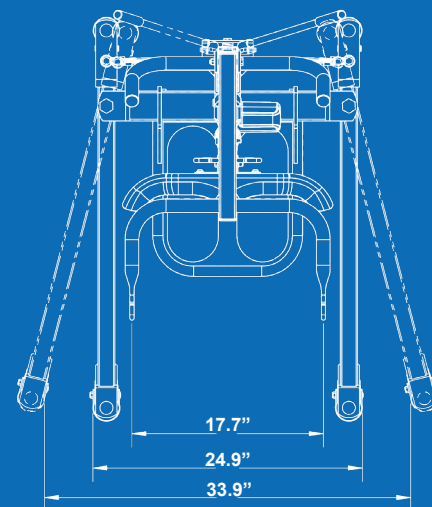
| DIMENSIONS

Key dimensions of SA182/H	
maximum capacity	400Lb / 182 Kg
external base width (closed)	24.9"
internal leg width (opened)	33.9"
upright mast height	40"
overall base length	37.5"
base height	4.9"
minimum lifting height with spreader bar	38"
maximum lifting height with spreader bar	60.5"
knee pad length extension range	4.5"
maximum boom width	17.7"
knee pad height extension range	22.6"
net weight	110lb / 49.9kgs
shipping weight	118lb / 53.5kgs

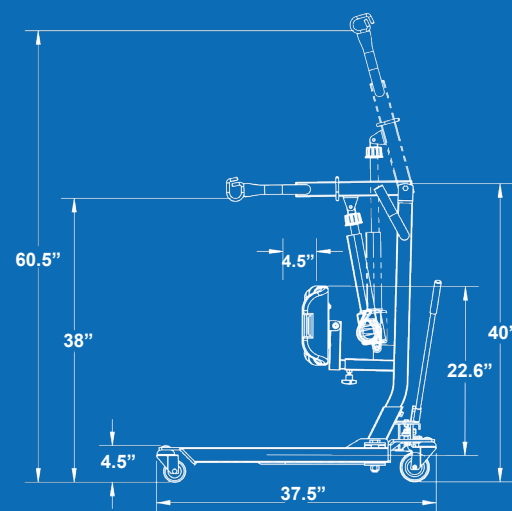
* SPECIFICATIONS PROVIDED ARE A GENERAL GUIDELINE AND ARE SUBJECT TO CHANGE WITHOUT NOTICE

| SA182H HYDRAULIC

| SA182 ELECTRONIC



TOP VIEW OF SA182



SIDE VIEW OF SA182

BESTSTAND™

SA228/H | SIT-TO-STAND LIFT

The Bestlift™ SA228/H are an affordable Care solution. They are compact and easy to maneuver. Medicare reimbursable (E0630).



- **500lb** capacity
- Hydraulic with optional electric upgrade
- Adjustable knee pad
- Detachable foot plate

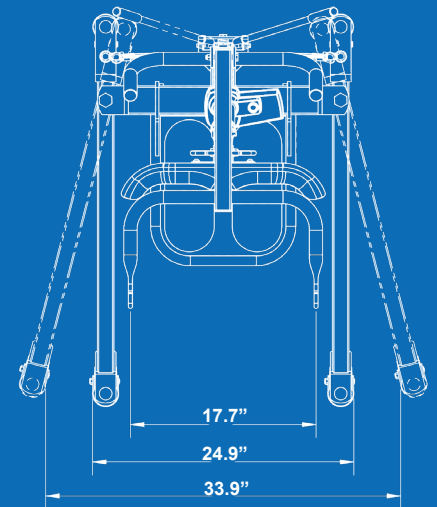
| DIMENSIONS

Key dimensions of SA228/H	
maximum capacity	500Lb / 228 Kg
external base width (closed)	24.9"
internal leg width (opened)	33.9"
upright mast height	40"
overall base length	37.5"
base height	4.9"
minimum lifting height with spreader bar	38"
maximum lifting height with spreader bar	60.5"
knee pad length extension range	4.5"
maximum boom width	17.7"
knee pad height extension range	22.6"
net weight	1111lb / 50.3kgs
shipping weight	1191lb / 53.9kgs

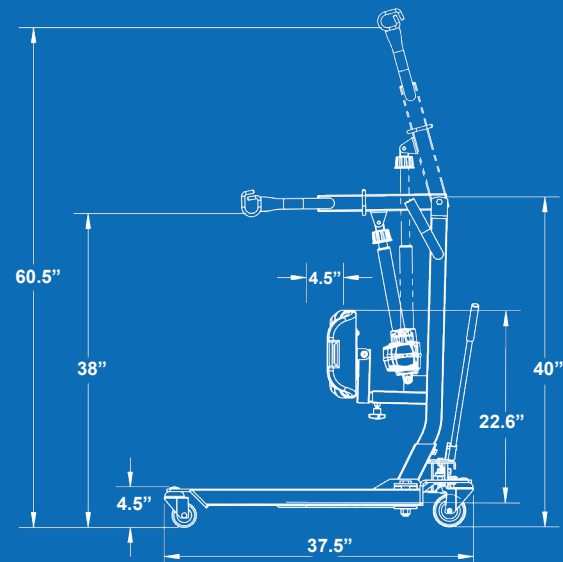
* SPECIFICATIONS PROVIDED ARE A GENERAL GUIDELINE AND ARE SUBJECT TO CHANGE WITHOUT NOTICE

| **SA228** ELECTRONIC

| **SA228H** HYDRAULIC



TOP VIEW OF SA228



SIDE VIEW OF SA228

BESTSTAND™

SA400 | SIT-TO-STAND LIFT

The BestStand™ SA400 is one of the latest addition to our ProCare Sit-to-Stand Solutions. Its ergonomic design ensures safe and smooth patient sit-to-stand transfer.



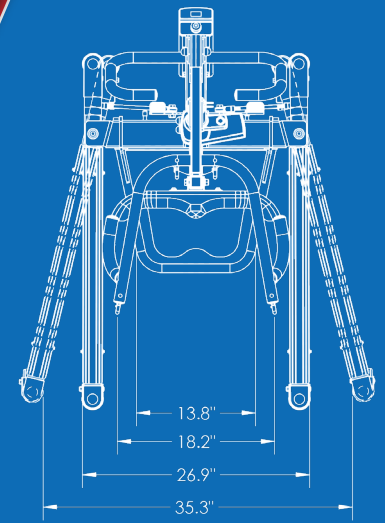
- **400lb** Capacity
- Full electric with optional spare battery
- Wide Lifting range
- Adjustable knee pad
- Compact base for easy maneuver
- Detachable foot plate

| DIMENSIONS

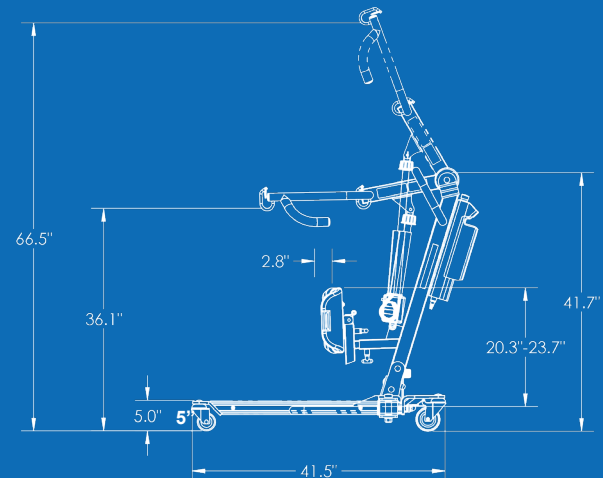
Key dimensions of SA400	
maximum capacity	400Lb / 182 Kg
external base width (closed)	26.9"
internal leg width (opened)	35.3"
foot plate clearance	13.8"
upright mast height	41.7"
overall base length	41.5"
base height	5"
minimum lifting height with spreader bar	36.1"
maximum lifting height with spreader bar	66.5"
knee pad length extension range	2.8"
maximum boom width	18.2"
knee pad height	20.3-23.8"
net weight	115lb / 52.2kgs
shipping weight	130lb / 59kgs

* SPECIFICATIONS PROVIDED ARE A GENERAL GUIDELINE AND ARE SUBJECT TO CHANGE WITHOUT NOTICE

| SA400



TOP VIEW OF SA400



SIDE VIEW OF SA400

BESTSTAND™

SA500 | SIT-TO-STAND LIFT

The BestStand™ SA500 is one of the latest addition to our ProCare Sit-to-Stand Solutions. Its ergonomic design ensures safe and smooth patient sit-to-stand transfer.



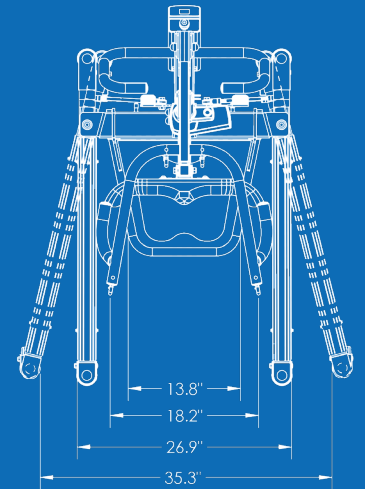
- **500lb** Capacity
- Full electric with optional spare battery
- Wide Lifting range
- Adjustable knee pad
- Compact base for easy maneuver
- Detachable foot plate

| DIMENSIONS

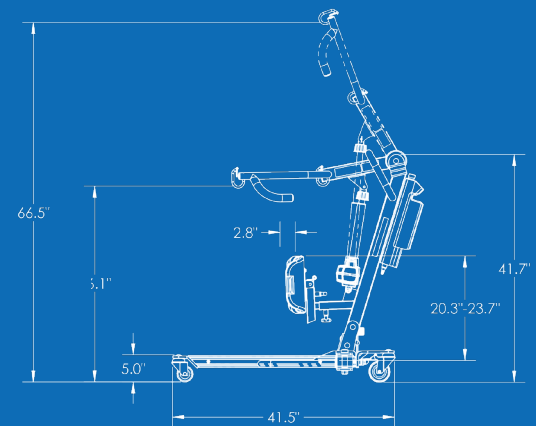
Key dimensions of SA500	
maximum capacity	500Lb / 228 Kg
external base width (closed)	26.9"
internal leg width (opened)	35.3"
foot plate clearance	13.8"
upright mast height	41.7"
overall base length	41.5"
base height	5"
minimum lifting height with spreader bar	36.1"
maximum lifting height with spreader bar	66.5"
knee pad length extension range	2.8"
maximum boom width	18.2"
knee pad height extension range	20.2-23.7"
net weight	116lb / 52.6kgs
shipping weight	131lb / 59.4kgs

* SPECIFICATIONS PROVIDED ARE A GENERAL GUIDELINE AND ARE SUBJECT TO CHANGE WITHOUT NOTICE

| SA500



TOP VIEW OF SA500



SIDE VIEW OF SA500

BESTSTAND™

SA600 | SIT-TO-STAND LIFT

The BestStand™ SA600 is one of the latest addition to our ProCare Sit-to-Stand Solutions. Its ergonomic design ensures safe and smooth patient sit-to-stand transfer.



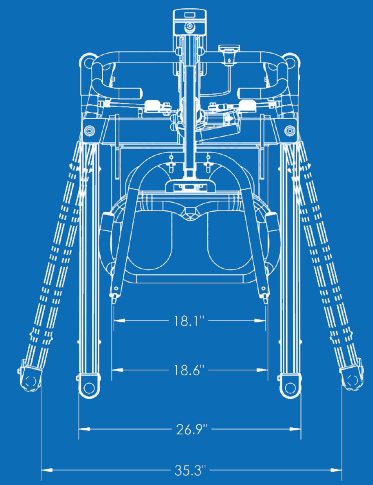
- **600lb** Capacity
- Full electric with optional spare battery
- Wide Lifting range
- Adjustable knee pad
- Compact base for easy maneuver
- Detachable foot plate

| DIMENSIONS

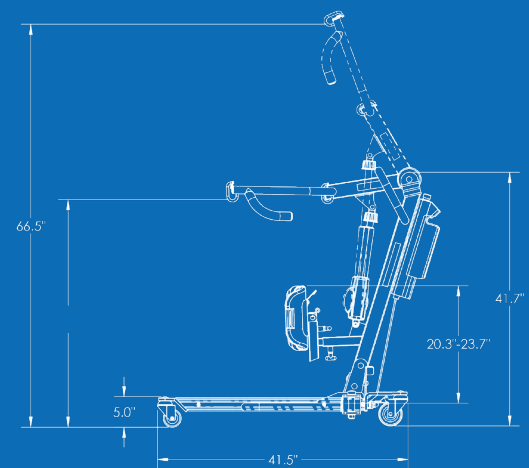
Key dimensions of SA600	
maximum capacity	600Lb / 273 Kg
external base width (closed)	26.9"
internal leg width (opened)	35.3"
foot plate clearance	18.1"
upright mast height	41.7"
overall base length	41.5"
base height	5"
minimum lifting height with spreader bar	37.5"
maximum lifting height with spreader bar	66.5"
knee pad length extension range	2.8"
maximum boom width	18.2"
knee pad height extension range	20.2-23.7"
net weight	125lb / 56.5kgs
shipping weight	139lb / 63kgs

* SPECIFICATIONS PROVIDED ARE A GENERAL GUIDELINE AND ARE SUBJECT TO CHANGE WITHOUT NOTICE

| SA600



TOP VIEW OF SA600



SIDE VIEW OF SA600



BESTMOVE SERIES

STANDING TRANSFER AID

STA 400
STA 450

2920 Pacific Drive, Norcross, GA 30071 • Tel: 678-679-6690 • Fax: 678-679-6697
Email: sales@bestcarellc.com • Web Site: www.bestcarellc.com

BESTMOVE™

STA400 | STANDING TRANSFER AID

The BestMove™ STA400 is the perfect blend of form and function for patient transfers. With the new TS30760 Raising belt, users and caregivers will be able to easily transfer the patient from a sitting position to a standing as well as from a standing position to a sitting position.

NEW!



STA400 BEING USED WITH RAISING BELT WHILE PATIENT IS SITTING



STA400 WITH RAISING BELT: PATIENT PULLS HIMSELF UP WITH ASSISTANCE



STA400 WITH RAISING BELT: PATIENT IS TRANSFERRED TO STANDING POSITION



- **400lb** capacity
- Shin brace for secure transports
- First choice for any fall prevention program
- Support strap available

| STA400



CLOSED SWIVEL SEATS



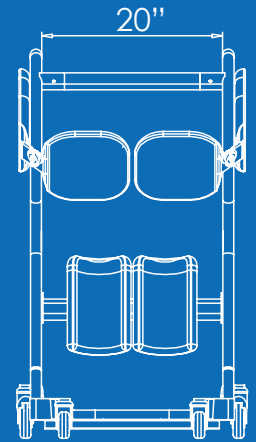
OPEN SWIVEL SEATS

| DIMENSIONS

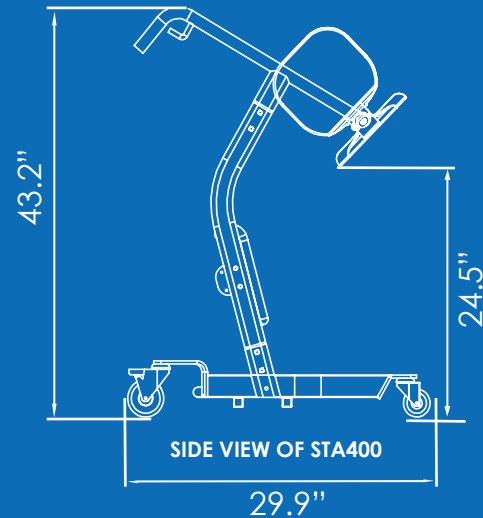
Key dimensions of STA400

maximum capacity	400Lb / 182Kg
overall height	43.2 in
overall base length	29.9 in
overall width	24.5
minimum seat height	26 in
maximum seat height	33.5
front-end base height	3.6
external front-end leg width	16.5
maxmum kneepad height	21
horizontal handlebar width	20
net weight	60lb/27kg
shipping weight	73lb/33kg

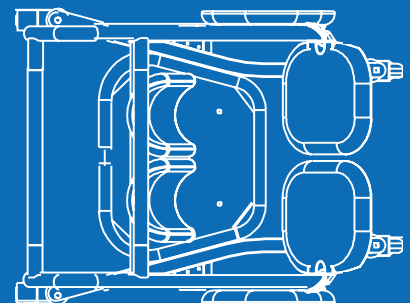
* SPECIFICATIONS PROVIDED ARE A GENERAL GUIDELINE AND ARE SUBJECT TO CHANGE WITHOUT NOTICE



FRONT VIEW OF STA400



SIDE VIEW OF STA400



TOP VIEW OF STA400



2920 PACIFIC DR., NORCROSS, GA 30071
WWW.BESTCARELLC.COM
678-679-6690

BESTMOVE™

STA450 | STANDING TRANSFER AID

The BestMove™ STA450 is your best choice for fall prevention, while at the same time promoting mobility for the patient. With the new TS30760 Raising belt, users and caregivers will be able to effortlessly transfer the patient from a sitting position to a standing position as well as from a standing position to a sitting position.

NEW!



STA450 BEING USED WITH RAISING BELT WHILE PATIENT IS SITTING



STA450 WITH RAISING BELT: PATIENT PULLS HIMSELF UP WITH ASSISTANCE



STA450 WITH RAISING BELT: PATIENT IS TRANSFERRED TO STANDING POSITION



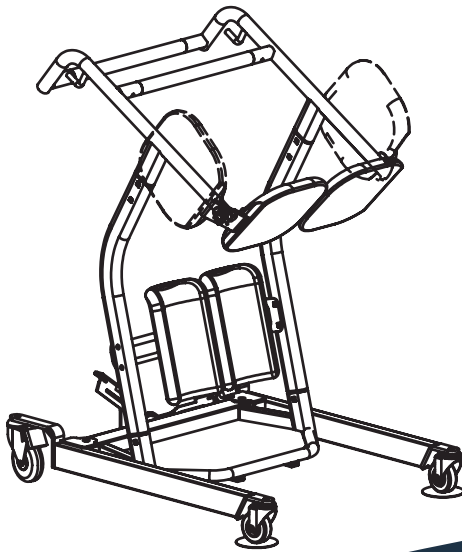
- **450lb** capacity
- Dual shin pads for extra support
- TS30760 Raising Belt available
- Legs open to fit around wheelchairs for easier patient transfers

| DIMENSIONS

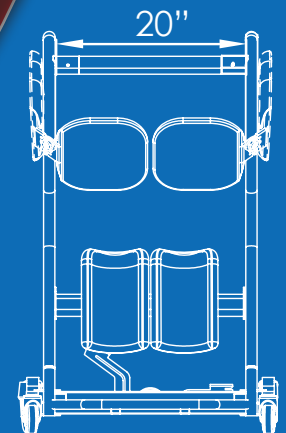
Key dimensions of STA450	
maximum capacity	450Lb / 205Kg
overall height	43.2 in
overall base length	35.5 in
minimum seat height	26 in
maximum seat height	33.5
front-end base height	3.6 in
internal leg width (open)	32 in
external leg width (closed)	27.7 in
maximum kneepad height	21 in
horizontal handlebar width	20 in
net weight	78Lb / 35.2Kg
shipping weight	93Lb / 42Kg

* SPECIFICATIONS PROVIDED ARE A GENERAL GUIDELINE AND ARE SUBJECT TO CHANGE WITHOUT NOTICE

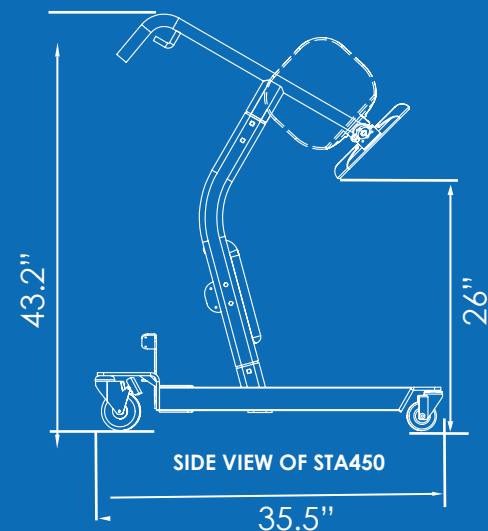
| STA450



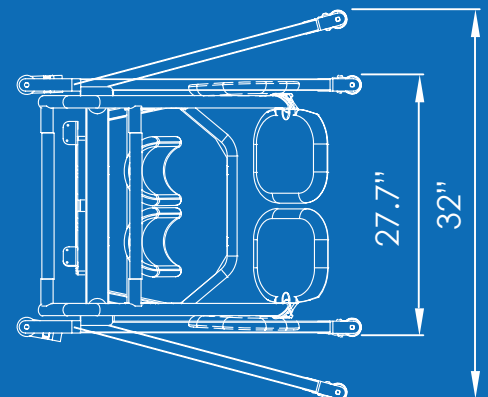
2920 PACIFIC DR., NORCROSS, GA 30071
WWW.BESTCARELLC.COM
678-679-6690



FRONT VIEW OF STA450



SIDE VIEW OF STA450



TOP VIEW OF STA450